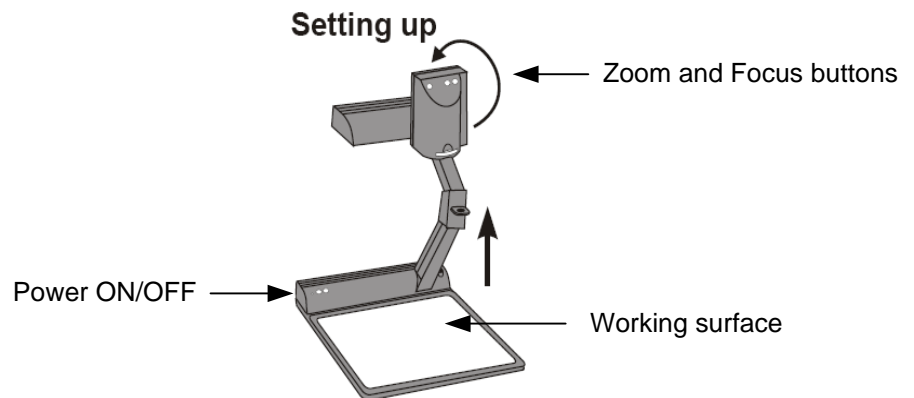


### How to operate the Document Camera (Visualiser)

#### Overview

A document camera (also known as a Visualiser) is a video camera designed to display documents and 3-D objects. A Visualiser can capture and project any object in its field of vision.



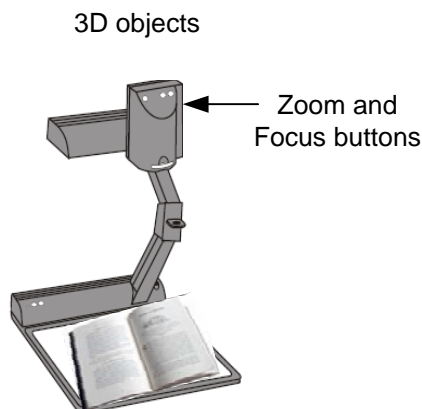
#### Turning On the Document camera

- The Power On button is located on the Document camera.
- The control panel will turn On the Data projector.
- The Document camera input is selected on the Control panel.

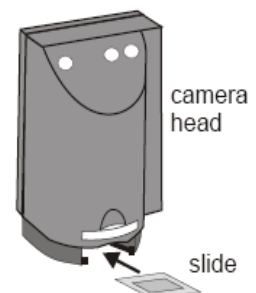


Displaying 3D objects :

Showing a 35mm slide :



35mm slides



- Place object on working surface.
- Adjust zoom and focus.
- Some visualisers can show 35mm slides
- Insert slide in slide drawer.

For assistance :

Assistance is available by calling 59666 Opt1 and ask for AV assistance.

Training :

Training on equipment in rooms can be arranged at any time.  
Call Space Services Help Desk Phone: 612 55909